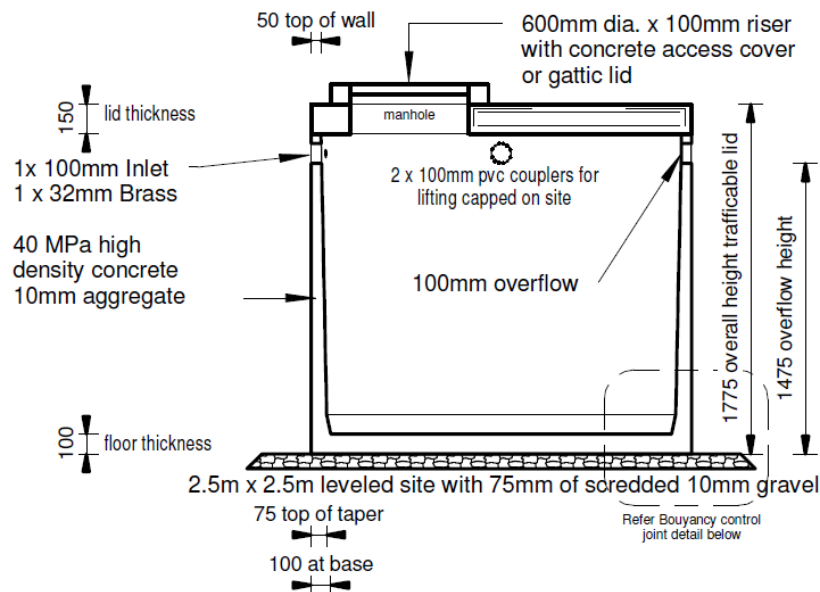


3,700ltr (Squat) Concrete Water Tank Light Trafficable Lid (2 tonne point load capacity)

Engineer designed and certified for in-ground and above ground use. Lid suitable for up to 400mm soil and turf.



	WEIGHT (T)	CAPACITY (L)	DIAMETER (M)	TOTAL HEIGHT (M)
HD 3700 (squat) T2 Lid Class B	4.0	3,700	1.93	1.775

DO NOT USE SAND, CRUSHER DUST OR ROAD BASE BELOW TANK – WILL VOID WARRANTY

Levelling your excavation and 10mm gravel are the most two important things you can do to ensure the life of your unit. Failure to do so will void warranty.

Excavation & Site Prep Instructions:

1. Prepare clear access for rear mounted crane truck (3.5m wide x 10m long x 26T).
2. Excavate 2.5mx2.5m level hole to required depth.
3. Ensure no high spots or protruding rock in the base of the excavation.
4. Place 75mm layer of 10mm gravel into excavation.
5. Screed perfectly level with straight edge and spirit level.
6. Tank is craned into excavated area (reach with crane truck is 5m from centre of crane to centre of tank).
7. Back fill with excavated material with no large rocks (200mm plus).
8. Ensure tank is filled with water to 70% capacity (failure to fill tank may cause your tank to float! Allcast Precast takes **NO RESPONSIBILITY** for floating tanks).

Handy tips for a smooth install:

1. Delivery is by rear mounted crane truck which delivers over the rear – NEVER OVER THE SIDE.
2. Check for low weight limit bridges or other hazards on your street or in your delivery area.
3. Check the dimensions of your access for height and width, starting at the street.
4. How wide is your front gate?
5. Underground plumbing, or septic trenches in the access?
6. Piles of timber or other materials in the 7m zone at the rear of the truck? Large overhanging trees or power lines in the access or crantage area?
7. Beware electrical hazards for unloading purposes:
 - a. 7 meters minimum clearance under insulated wires
 - b. 10 meters minimum clearance under non-insulated wires

Otherwise power must be off.

If you have any further questions please call Allcast Precast on 07 5442 2522.